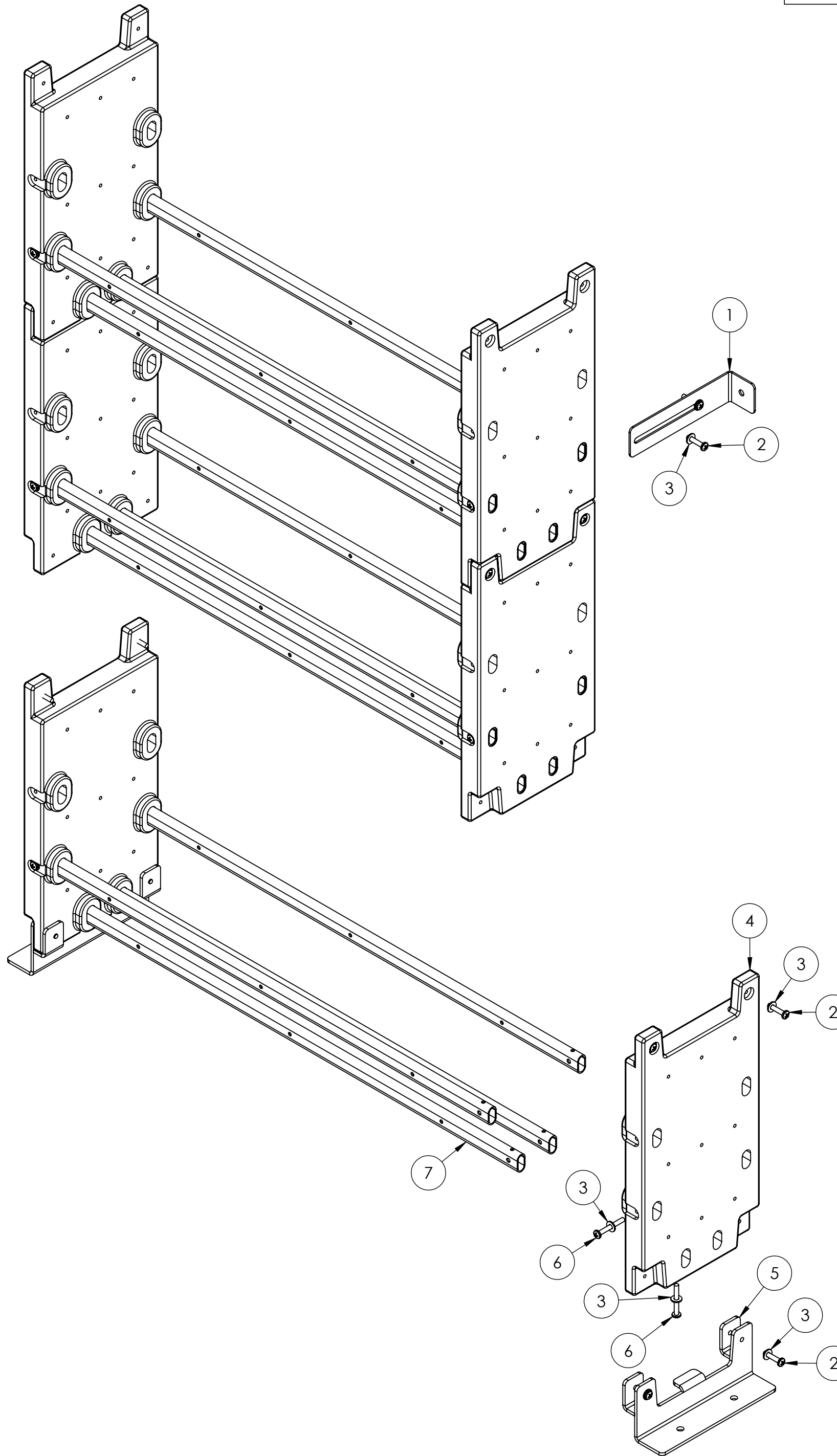


ITEM NO.	PART NO.	DESCRIPTION	QTY.
1	H346	bracket, anchor, shelf	2
2	H671	screw, #14-10 x 1-1/4", phil pan, s/s	16
3	H210	washer, 1/4" flat, s/s	40
4	P642	side panel, modular shelf, A600	6
5	H162A	bracket, short, floor, shelf	2
6	H672	screw, #14-10 x 2", phil pan, s/s	24
7	H175	corss bar, support, A600	12

REVISIONS			
REV.	DESCRIPTION	DATE	APPROVED
OD	ORIGINAL DRAFT	7/2019	JFL



	NAME	DATE	<b>MYTEE PRODUCTS, INC.</b> 858-679-1191
DRAWN	M.LaBarbera	7/2019	
CHECKED			TITLE:
COMMENTS:	modular shelves		
<b>PROPRIETARY AND CONFIDENTIAL</b> THE INFORMATION CONTAINED IN THIS DRAWING IS THE SOLE PROPERTY OF MYTEE PRODUCTS, INC. ANY REPRODUCTION IN PART OR AS A WHOLE WITHOUT THE WRITTEN PERMISSION OF MYTEE PRODUCTS, INC. IS PROHIBITED.	SIZE	DWG. NO.	REV
	<b>C</b>	<b>A600</b>	<b>OD</b>
	SCALE: 1:12	DO NOT SCALE DRAWING	SHEET 1 OF 1